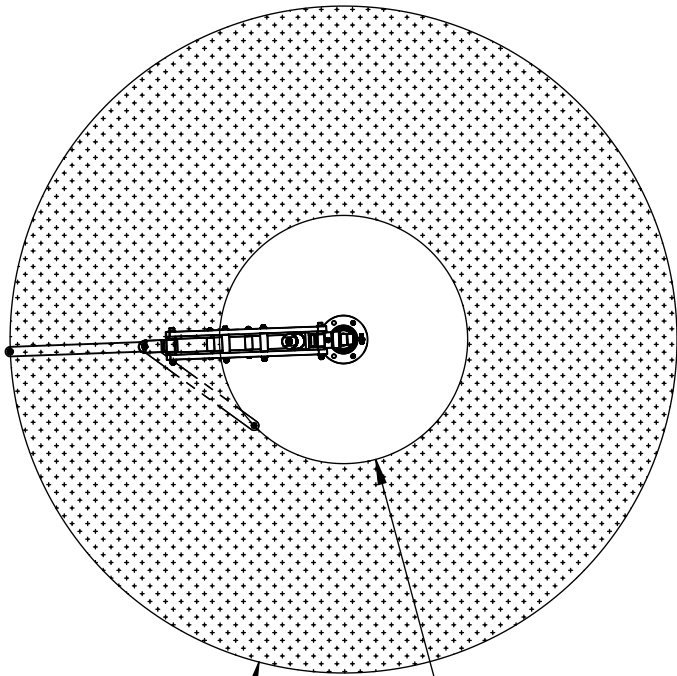
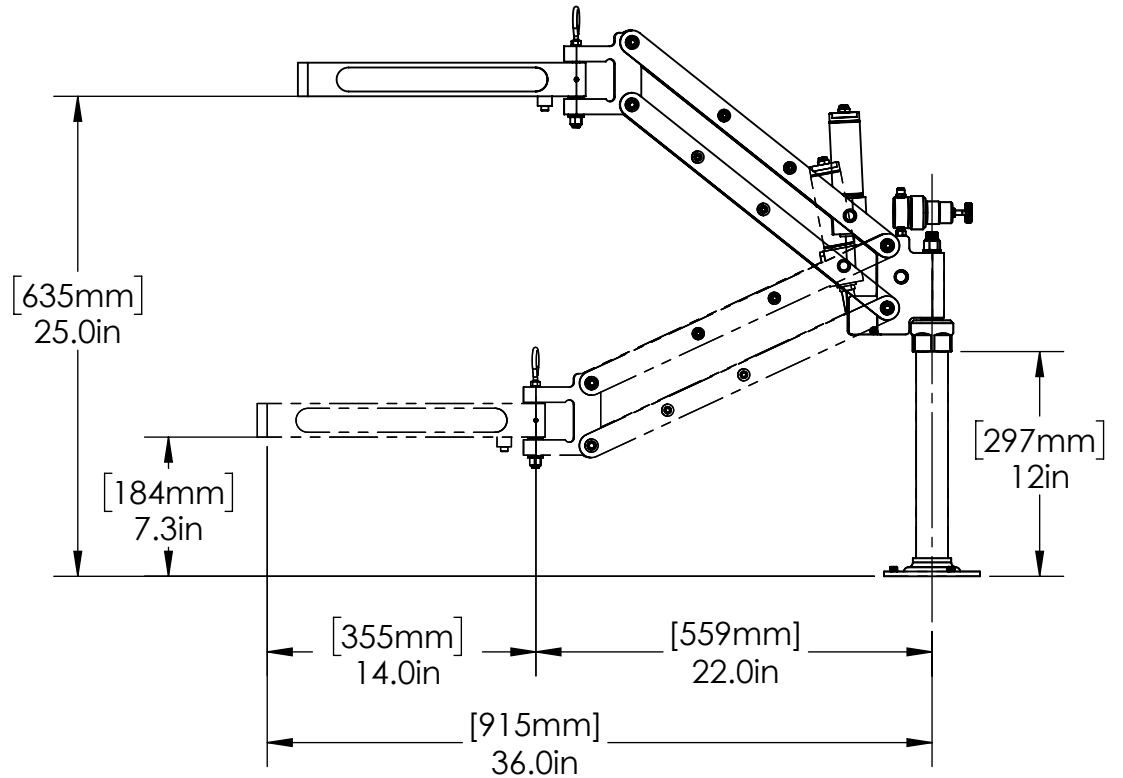


WORK AREA



[1830mm]
Ø 72in

MIN. REACH
[657mm]
Ø 26in



[635mm]
25.0in

[184mm]
7.3in

[297mm]
12in

[355mm]
14.0in

[559mm]
22.0in

[915mm]
36.0in

MODEL#: EL1015-N

Extra Heavy Duty Arm has thick Parallels with cross ties for even more rigidity and a larger diameter Shoulder Pin and Bearings than the 815 frame. Standard B125 Base (5" dia) with 1-1/4" NPT column.

MAX TORQUE (VERT): 1100 in-lbs (125 N-m)

MAX TORQUE (HORZ): 600 in-lbs (68 N-m)

MAX. TOOLING WEIGHT: 14 lbs (6.3 kg)

COPYRIGHT © 2018 ERGONOMIC TOOL ARMS, LLC

www.toolarms.com

ETA
Ergonomic Tool Arms, LLC