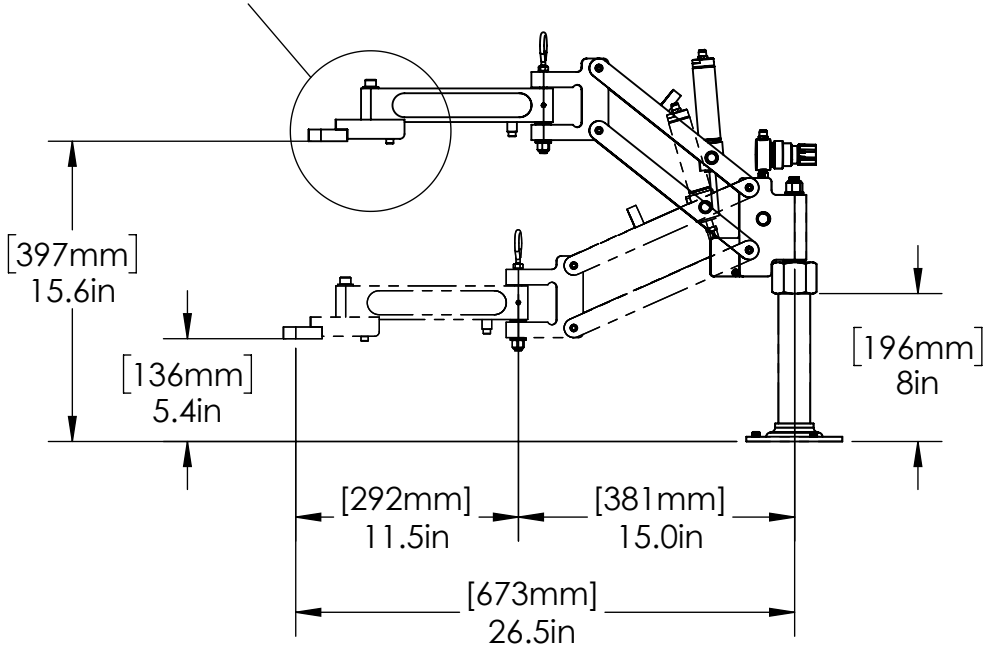
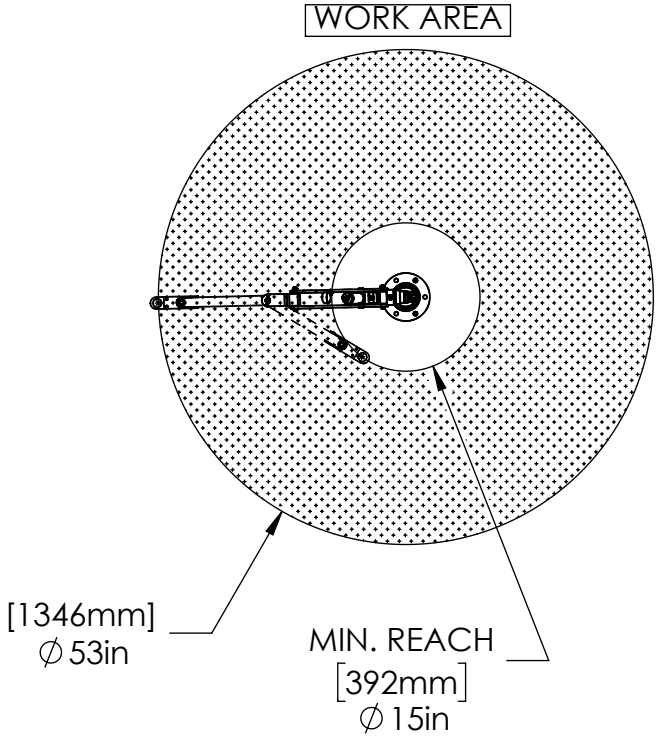
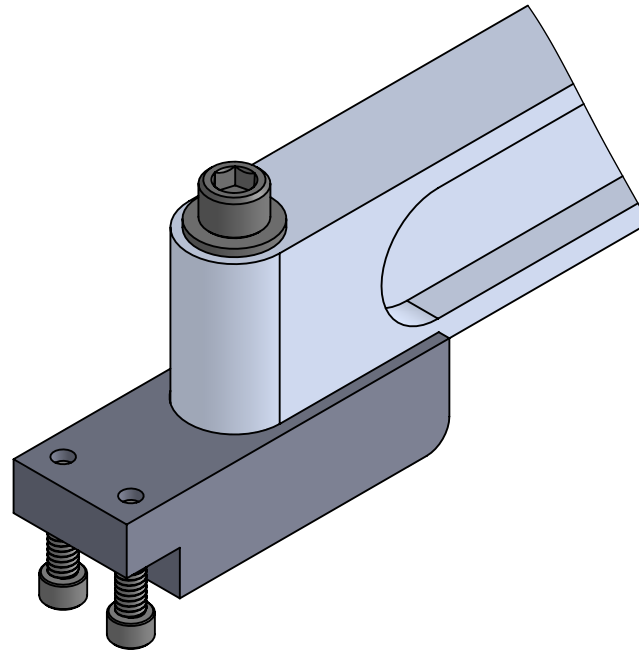
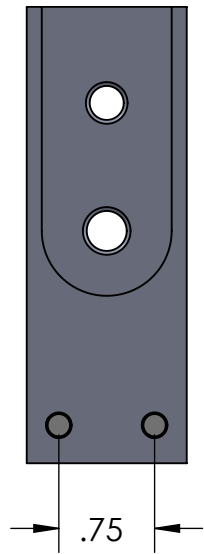


SEE PAGE 2 FOR
TOOL HOLDER
DETAILS



MODEL#: EL306-ASG
TOOL HOLDER INCLUDED, ASG-TH
SHORT ARM FOR VERTICAL FASTENING USING ASG IN-LINE TOOL
MAX TORQUE: 275 in-lbs (31 N-m)
MAX. TOOLING WEIGHT: 5 lbs (2.25 kg)
COPYRIGHT © 2018 ERGONOMIC TOOL ARMS, LLC



ASG SP2500 TOOL-
LOOP MOUNTS HERE
(SUPPLIED BY ASG)



www.toolarms.com



MODEL#: ASG-TH

Adapter for ASG SP2500 Tools to
ETA arms for VERTICAL use.

COPYRIGHT © 2018 ERGONOMIC TOOL ARMS, LLC