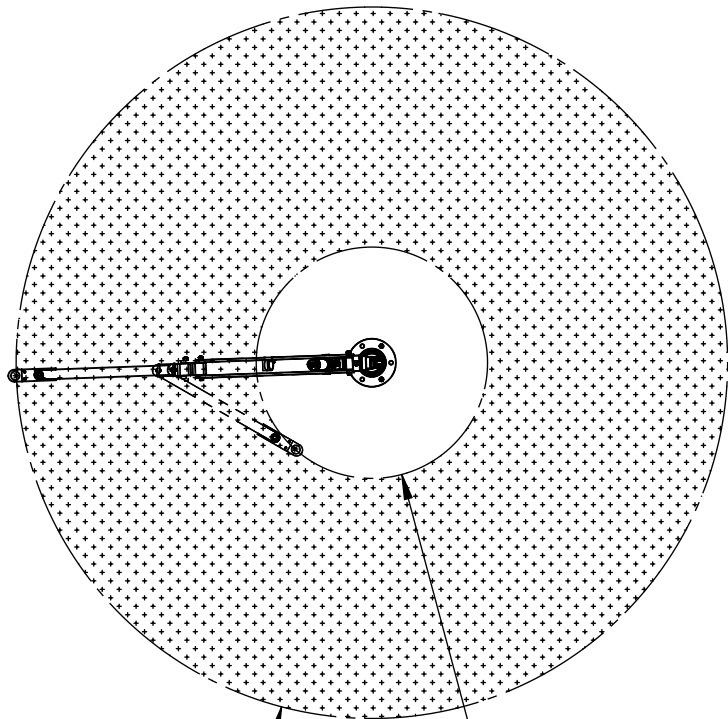


SEE PAGE 2 FOR  
TOOL-HOLDER DETAILS

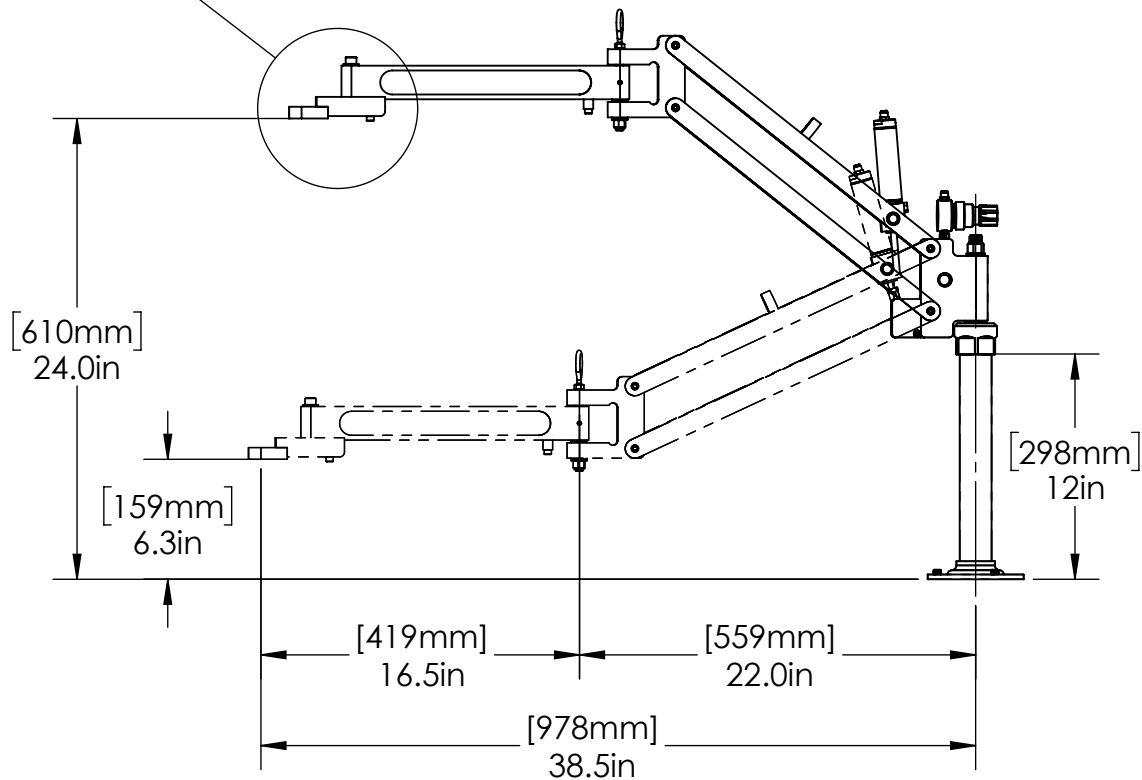
WORK AREA



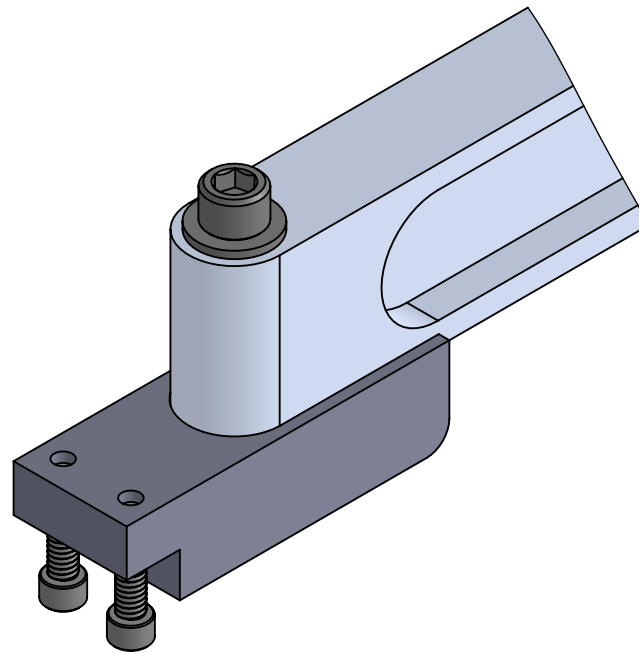
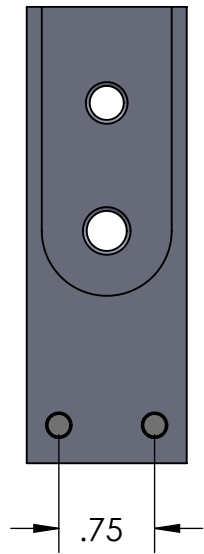
[1956mm]  
Ø 77in

MIN. REACH

[612mm]  
Ø 24in



MODEL#: EL506-ASG
TOOL HOLDER INCLUDED, ASG-TH
TOOL ARM FOR VERTICAL FASTENING WITH ASG IN-LINE TOOL
MAX TORQUE: 550 in-lbs (62 N-m)
MAX. TOOLING WEIGHT: 5 LBS (2.25 KG)
COPYRIGHT © 2018 ERGONOMIC TOOL ARMS, LLC



ASG SP2500 TOOL-  
LOOP MOUNTS HERE  
(SUPPLIED BY ASG)



[www.toolarms.com](http://www.toolarms.com)



MODEL#: ASG-TH

Adapter for ASG SP2500 Tools to  
ETA arms for VERTICAL use.

COPYRIGHT © 2018 ERGONOMIC TOOL ARMS, LLC