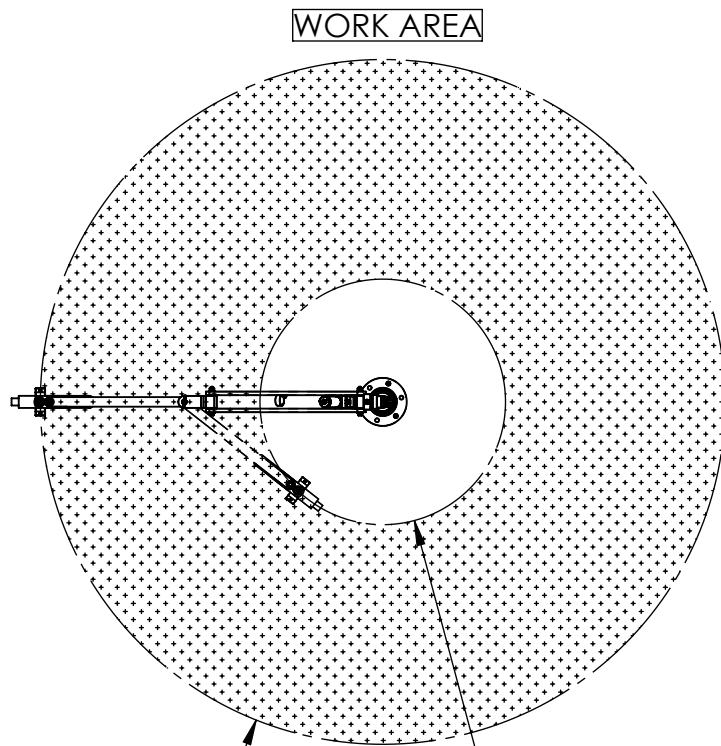


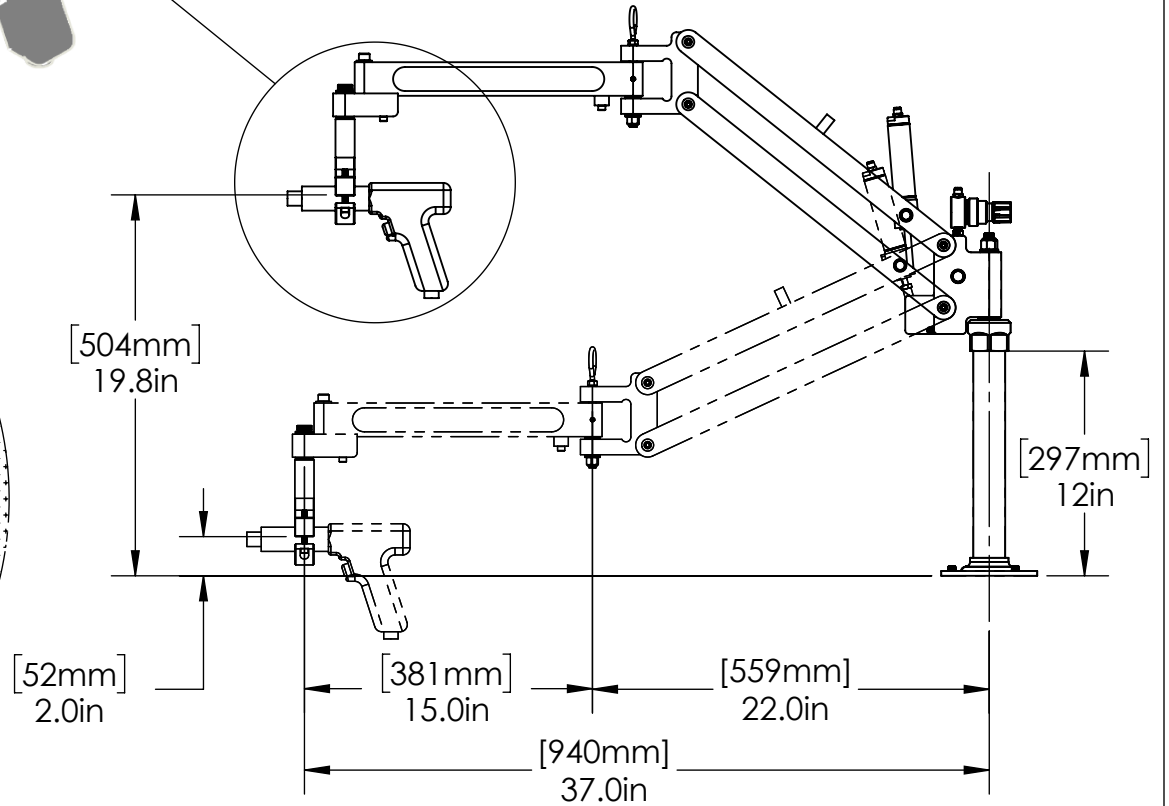
SEE PAGE 2 FOR  
TOOL-HOLDER  
DETAILS



[1880mm]  
Ø 74.0in

MIN. REACH

[650mm]  
Ø 26in



www.toolarms.com

**ETA**  
Ergonomic Tool Arms, LLC

MODEL#: EL806-PS

TOOL HOLDER INCLUDED, PS-TH

For HORIZONTAL Fastening with customer's Electric  
In-line or Pistol tool.

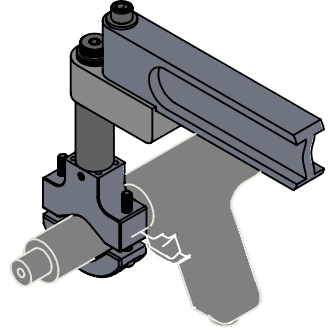
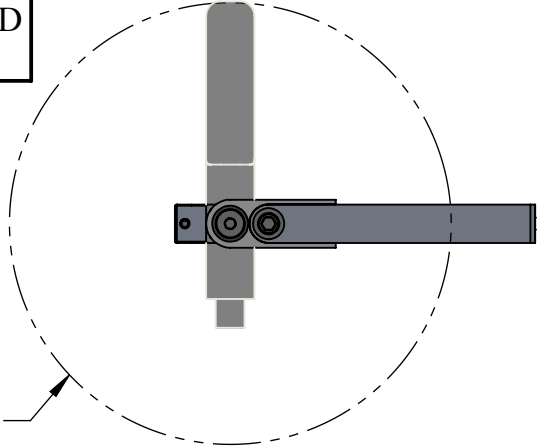
MAX TORQUE: 400 in-lbs (45 N-m)

MAX. TOOLING WEIGHT: 4.8 LBS (2.2 KG)

COPYRIGHT © 2018 ERGONOMIC TOOL ARMS, LLC

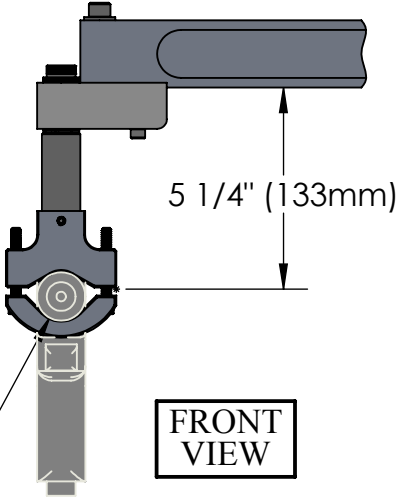
PS-TH

OVERHEAD VIEW



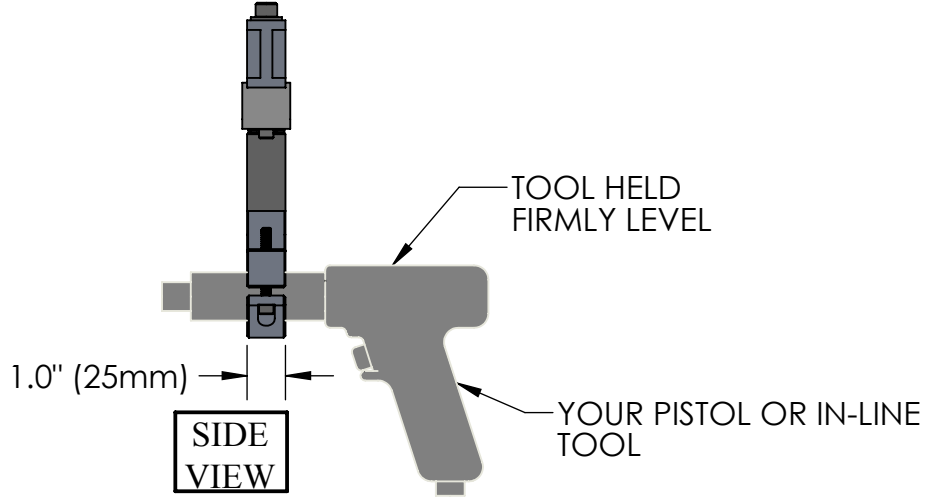
TOOL PIVOTS 360°

MINIMUM TOOL DIAMETER:  
1-1/8" (28.6mm)  
MAXIMUM TOOL DIAMETER:  
2.0" (50.8mm)



FRONT VIEW

5 1/4" (133mm)



SIDE VIEW

TOOL HELD FIRMLY LEVEL

YOUR PISTOL OR IN-LINE TOOL

1.0" (25mm)

COPYRIGHT © 2017 ERGONOMIC TOOL ARMS, LLC

Model **PS-TH**  
**Pistol Spin Tool Holder**  
FOR HORIZONTAL FASTENING

THIS DRAWING CONTAINS CONFIDENTIAL INFORMATION, IS THE PROPERTY OF ERGONOMIC TOOL ARMS, LLC AND IS GIVEN TO THE RECEIVER IN CONFIDENCE. THE RECEIVER BY RECEPTION AND RETENTION OF THIS DRAWING, ACCEPTS THE DRAWING IN CONFIDENCE AND AGREES THAT IT WILL NOT USE THE DRAWING OR A COPY THEREOF OR THE CONFIDENTIAL INFORMATION IT CONTAINS FOR THE PURPOSES OTHER THAN THAT INSTRUCTED BY ERGONOMIC TOOL ARMS, LLC, EITHER WRITTEN OR IMPLIED. THE RECEIVER AGREES, BY ACCEPTANCE AND RETENTION TO BE HELD LIABLE FOR MISUSE OF THIS DRAWING OR THE INFORMATION IT CONTAINS.