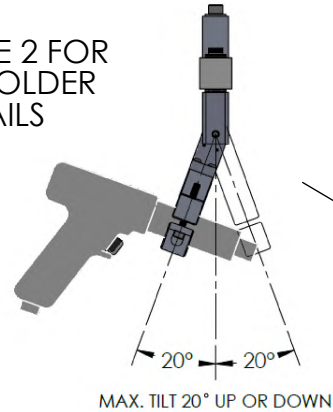
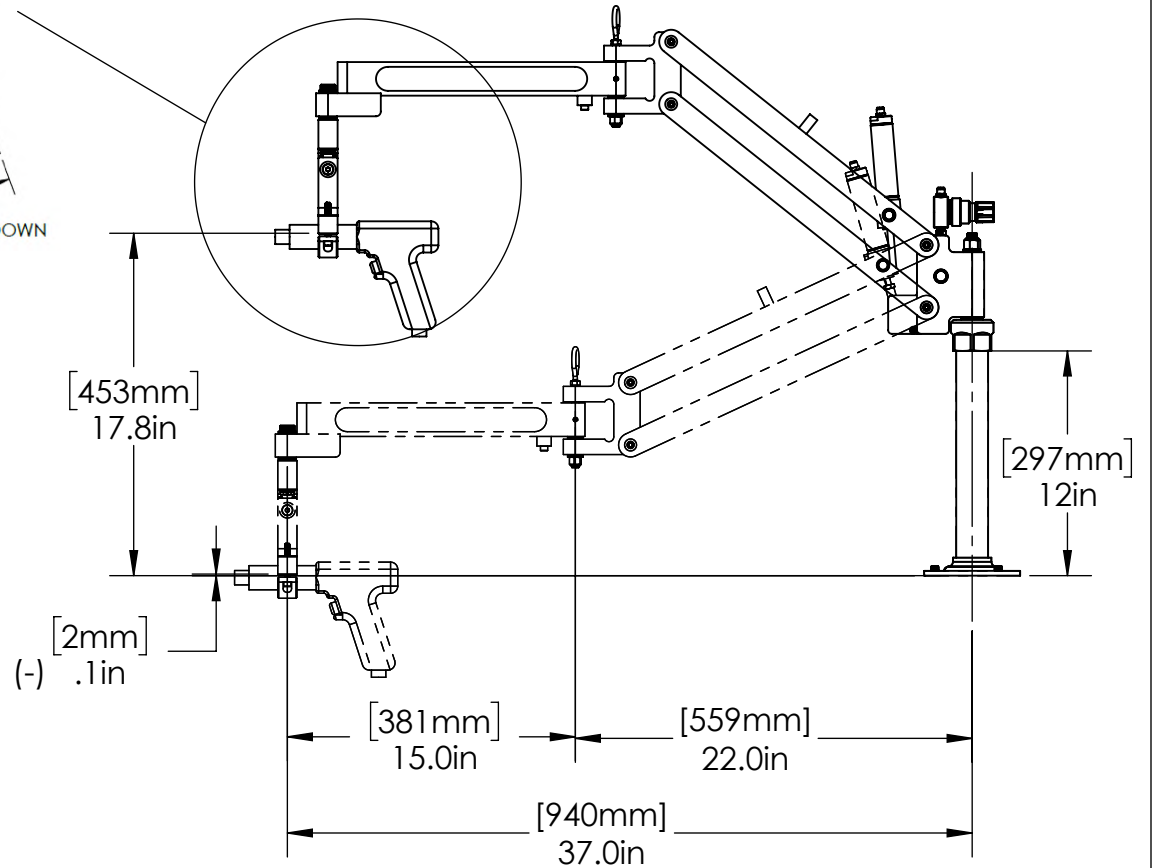
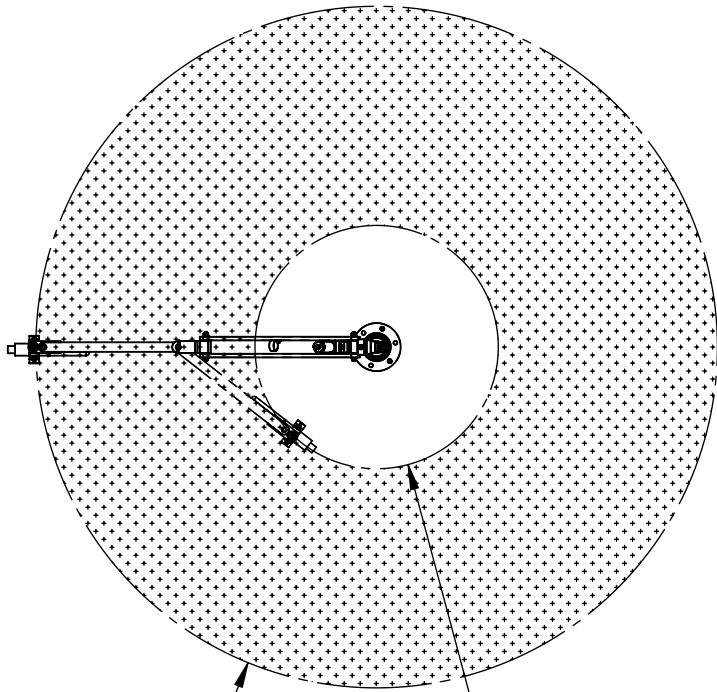


SEE PAGE 2 FOR  
TOOL-HOLDER  
DETAILS



WORK AREA



MODEL#: EL806-PT

TOOL HOLDER INCLUDED, PT-TH

For HORIZONTAL Fastening with customer's Electric  
In-line or Pistol Tool. Allows 20° degrees tilting.

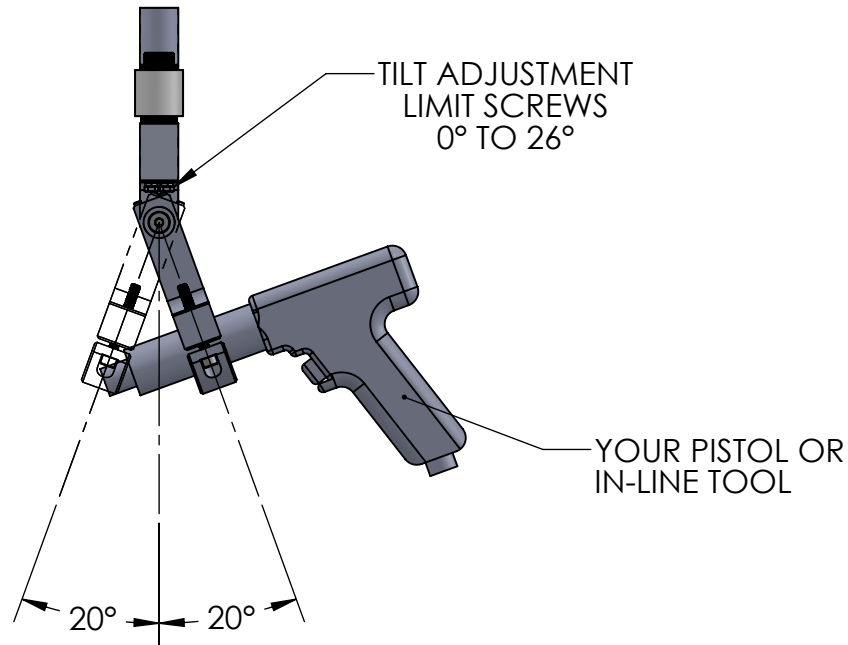
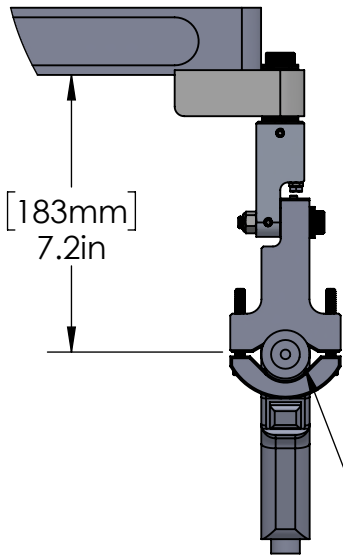
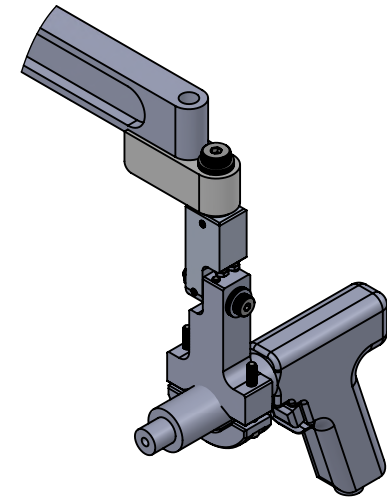
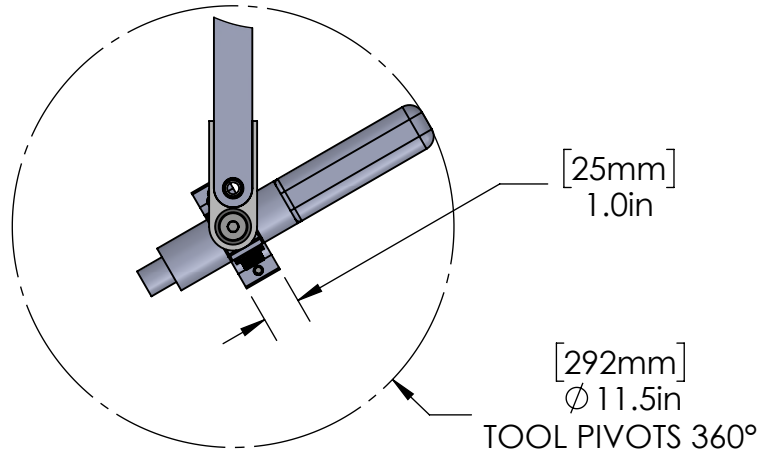
MAX TORQUE: 400 in-lbs (45 N-m)

MAX. TOOLING WEIGHT: 4.8 LBS (2.2 KG)

COPYRIGHT © 2018 ERGONOMIC TOOL ARMS, LLC

www.toolarms.com

**ETA**  
Ergonomic Tool Arms, LLC



MINIMUM TOOL DIA:  
1-1/8" (28.6mm)  
MAXIMUM TOOL DIA:  
2.0" (50.8mm)



MODEL#: PT-TH

**PISTOL TILT TOOL HOLDER**

FOR HORIZONTAL FASTENING, ALLOWS  
TILTING ±20°

COPYRIGHT © 2018 ERGONOMIC TOOL ARMS, LLC