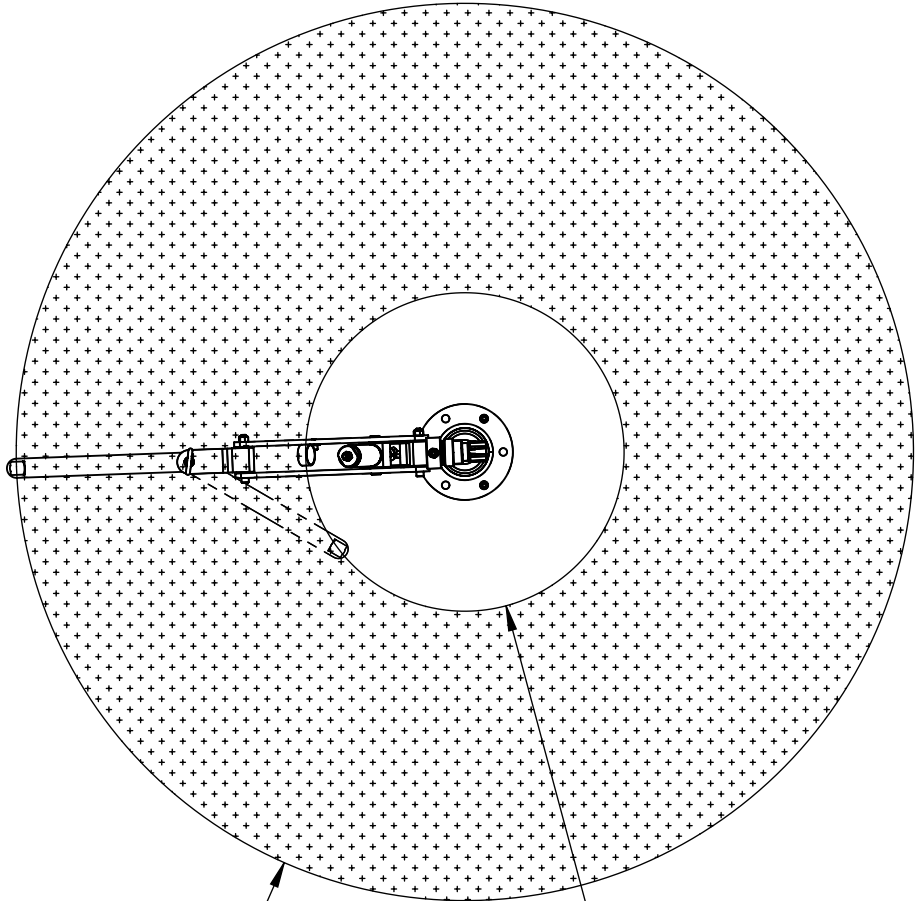
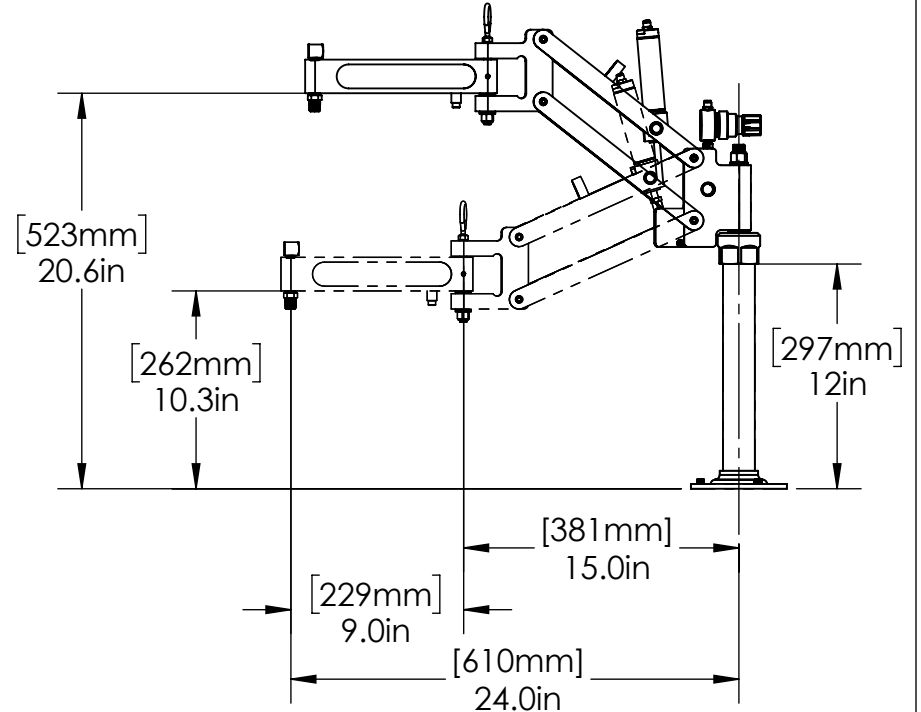


WORK AREA



[1220mm]
Ø 48in

MIN. REACH
[421mm]
Ø 17in



www.toolarms.com



MODEL#: PA306

1/4" NPT TOOL CONNECTION INCLUDED

A shortened version of PA506 for tight spaces for VERTICAL fastening with customer's In-line Air Tool

MAX TORQUE: 550 in-lbs (62 N-m)

MAX. TOOLING WEIGHT: 6 lbs (2.7 kg)

COPYRIGHT © 2018 ERGONOMIC TOOL ARMS, LLC