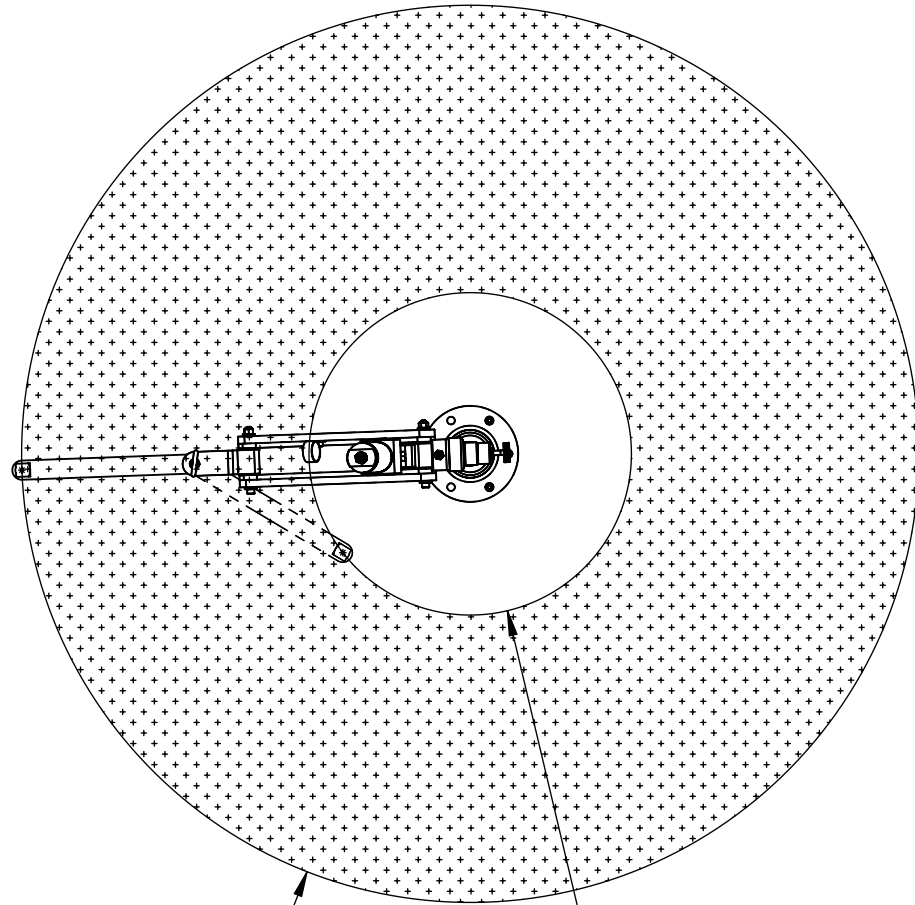
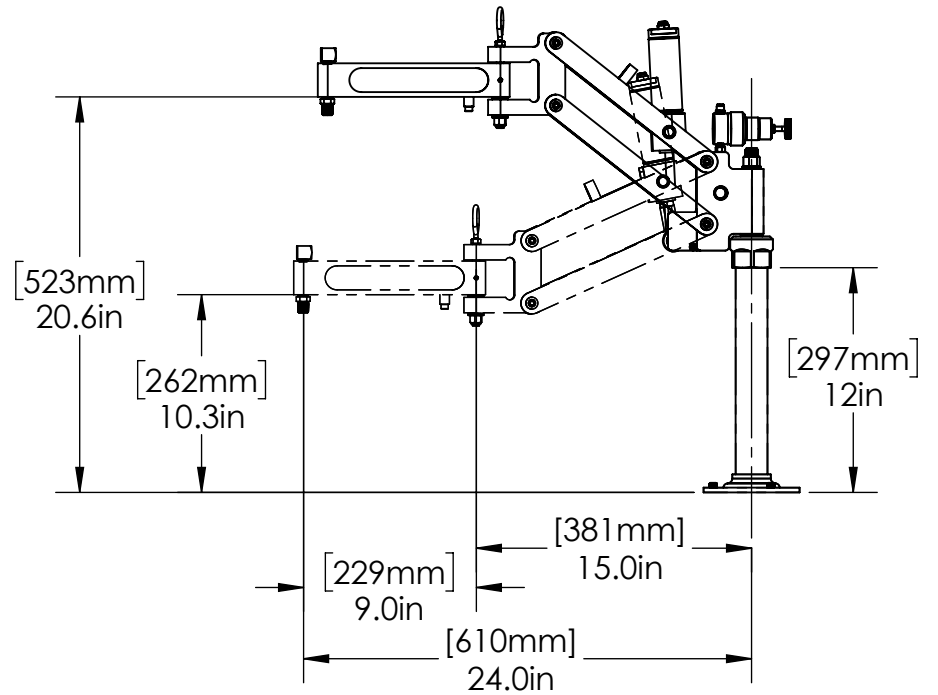


WORK AREA



[1220mm]
Ø 48 in

MIN. REACH
[427mm]
Ø 17in



MODEL#: PA315

1/4" NPT TOOL CONNECTION INCLUDED

A shortened version of PA815 for tight spaces, for VERTICAL Fastening with customer's in-line air-tools

MAX TORQUE: 800 in-lbs (90 N-m)

MAX. TOOLING WEIGHT: 15 lbs (6.75 kg)

COPYRIGHT © 2018 ERGONOMIC TOOL ARMS, LLC

www.toolarms.com

ETA
Ergonomic Tool Arms, LLC