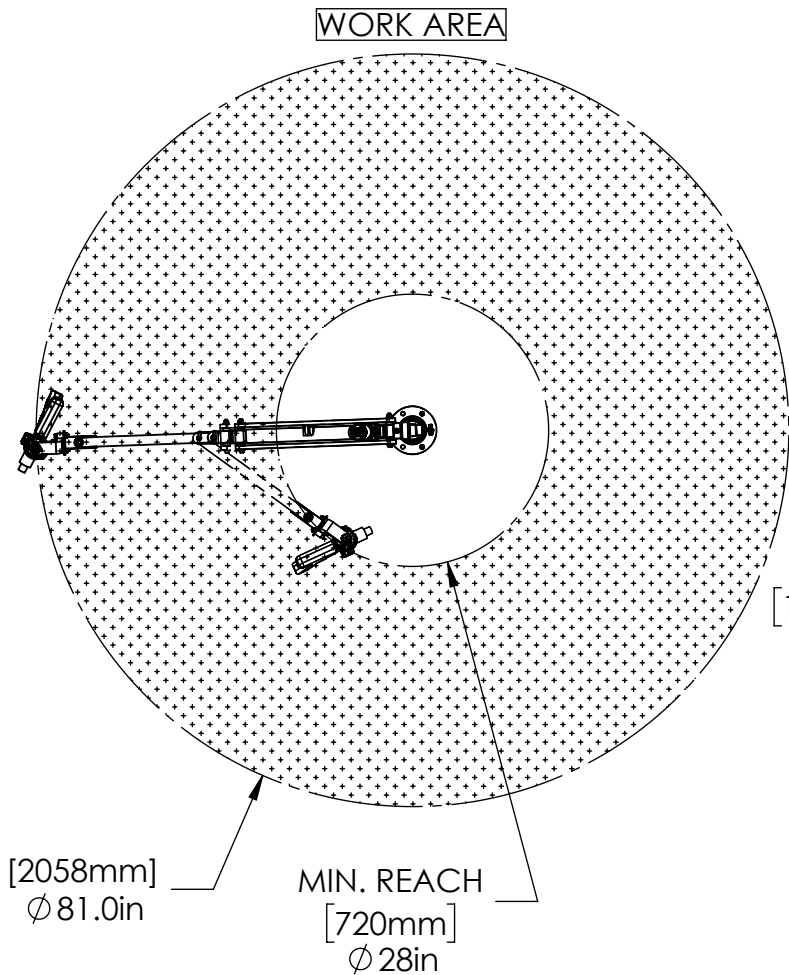
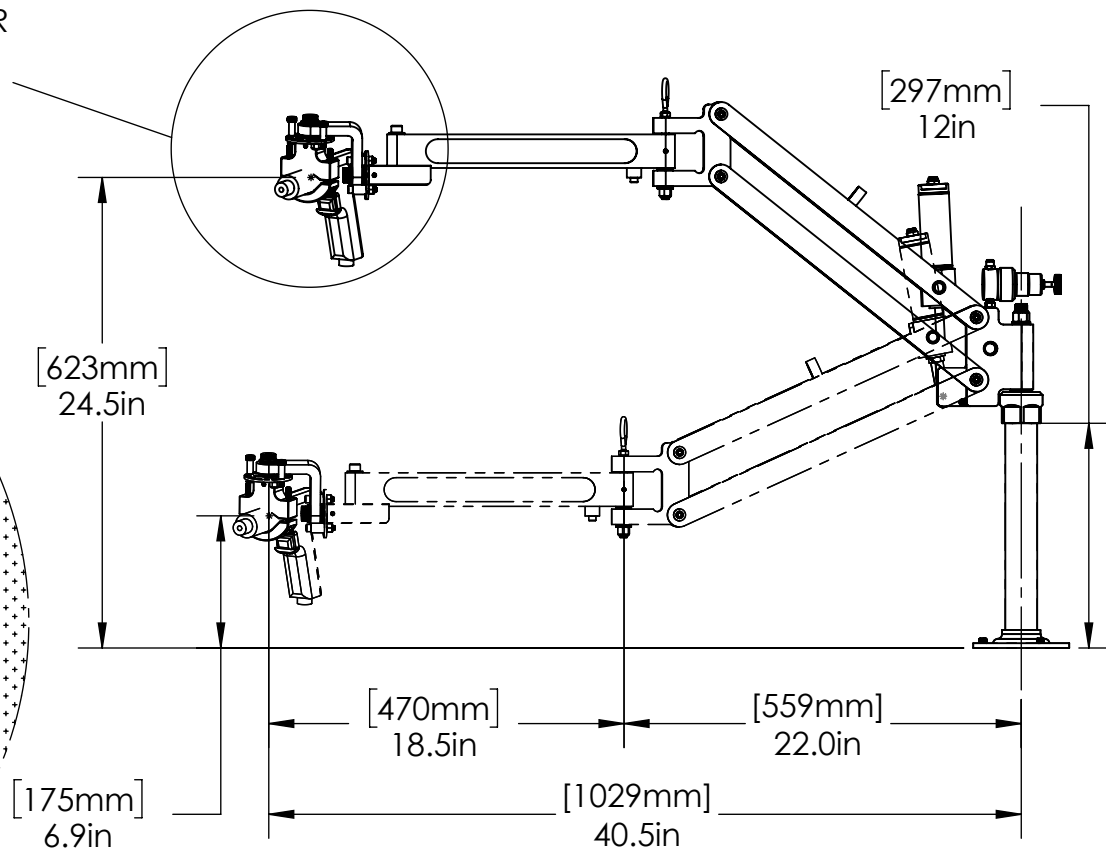


SEE PAGE 2 FOR  
TOOL-HOLDER  
DETAILS



MODEL#: PA815-FRS
TOOL HOLDER INCLUDED, FRS-TH
For Fastening with customer's In-line or Pistol Air-Tool at any angle, Vertical to Horizontal. Adjustable stops provide rotational restraint.
MAX TORQUE: 400 in-lbs (45 N-m)
MAX. TOOLING WEIGHT: 13.6 LBS (6.1 KG)
COPYRIGHT © 2018 ERGONOMIC TOOL ARMS, LLC




TOOL SWIVELS FREELY ON 2 AXES ENABLING OPERATOR TO FASTEN AT ANY ANGLE WITHOUT FEELING TORQUE REACTION

ROTATIONAL LIMIT STOPS

CUSTOMER'S PISTOL TOOL

CUSTOMER'S INLINE TOOL

MINIMUM TOOL DIAMETER:  
1-1/8" (28.6mm)  
MAXIMUM TOOL DIAMETER:  
2.0" (50.8mm)

<p>www.toolarms.com</p>  <p>ETA Ergonomic Tool Arms, LLC</p>	<p>MODEL#: <b>FRS-TH</b></p> <p>Tool holder with rotational stops on two axes, for pistol or In-line tools.</p>
---	---