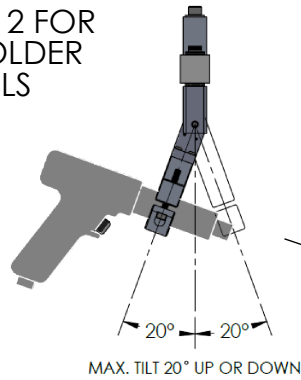
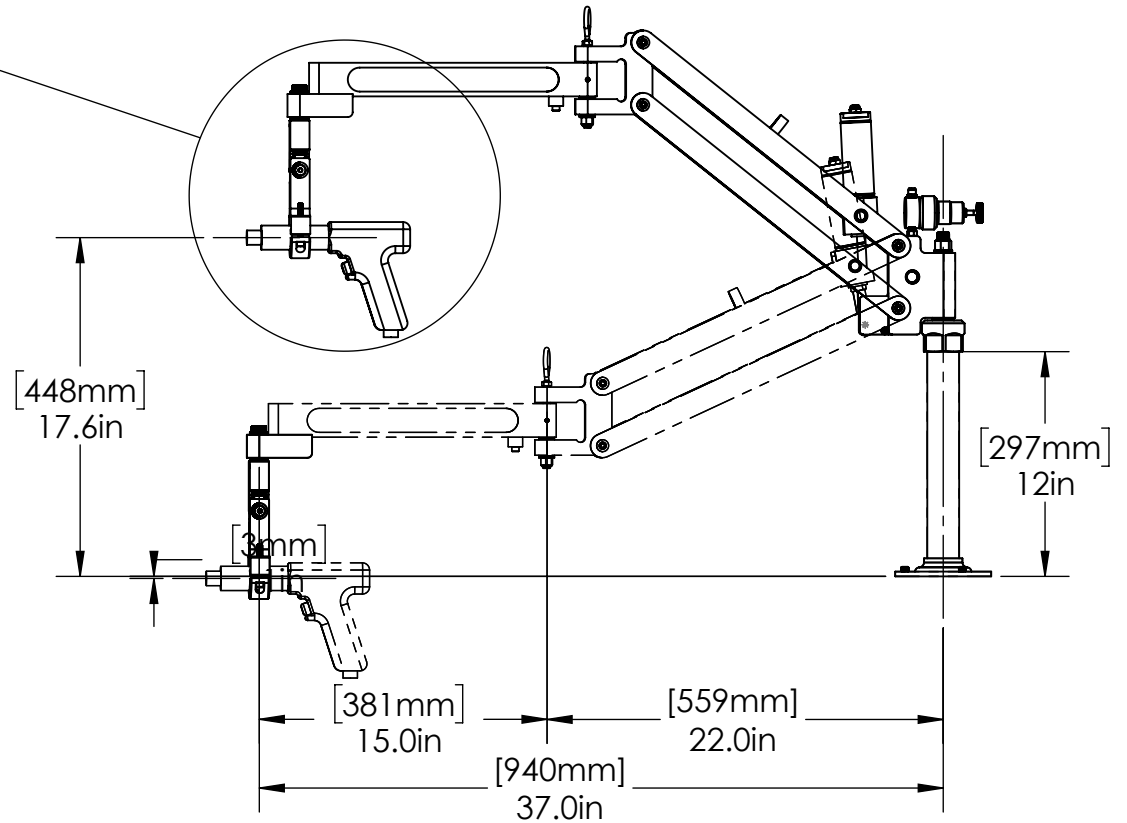
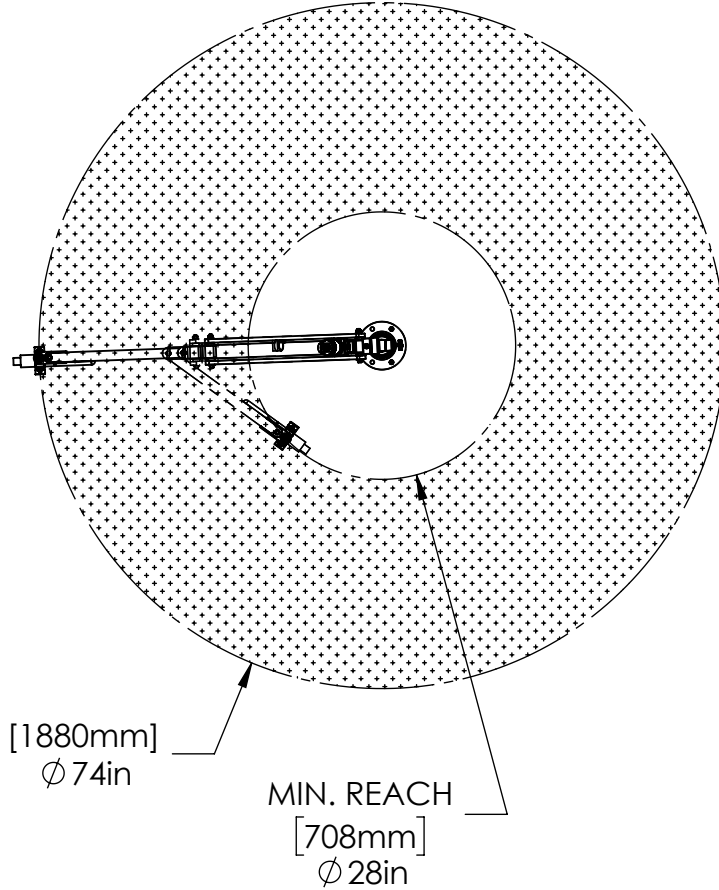


SEE PAGE 2 FOR  
TOOL-HOLDER  
DETAILS



WORK AREA



MODEL#: PA815-PT

TOOL HOLDER INCLUDED, PT-TH

For HORIZONTAL Fastening with customer's In-line or Pistol Air Tool. Allows 20° degrees tilting.

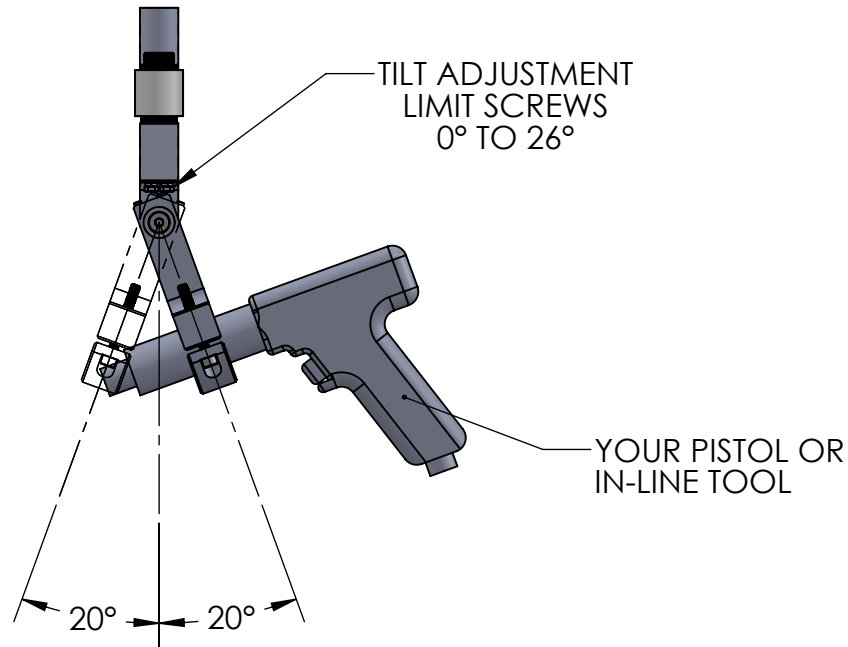
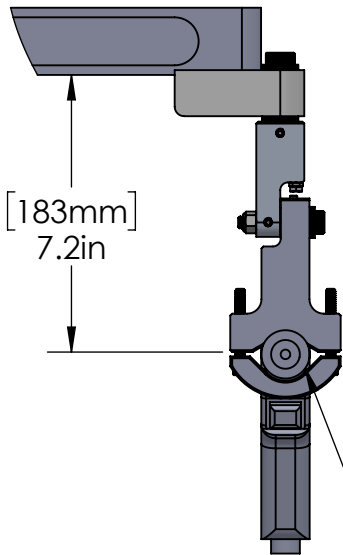
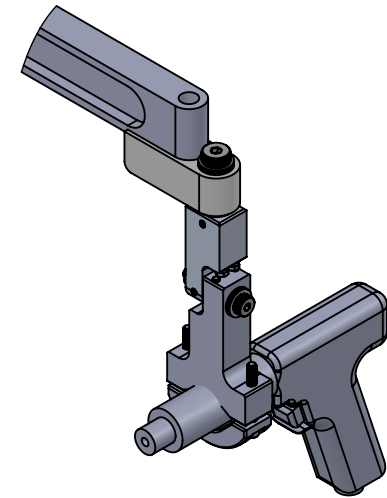
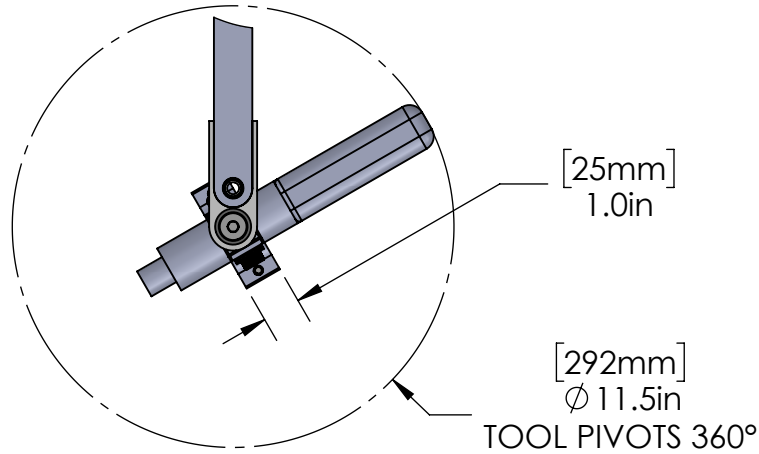
MAX TORQUE: 400 in-lbs (45 N-m)

MAX. TOOLING WEIGHT: 13.8 LBS (6.2 KG)

COPYRIGHT © 2018 ERGONOMIC TOOL ARMS, LLC

www.toolarms.com

**ETA**  
Ergonomic Tool Arms, LLC



MINIMUM TOOL DIA:  
1-1/8" (28.6mm)  
MAXIMUM TOOL DIA:  
2.0" (50.8mm)

www.toolarms.com

Ergonomic Tool Arms, LLC

MODEL#: PT-TH
<b>PISTOL TILT TOOL HOLDER</b>
FOR HORIZONTAL FASTENING, ALLOWS TILTING ±20°
COPYRIGHT © 2018 ERGONOMIC TOOL ARMS, LLC