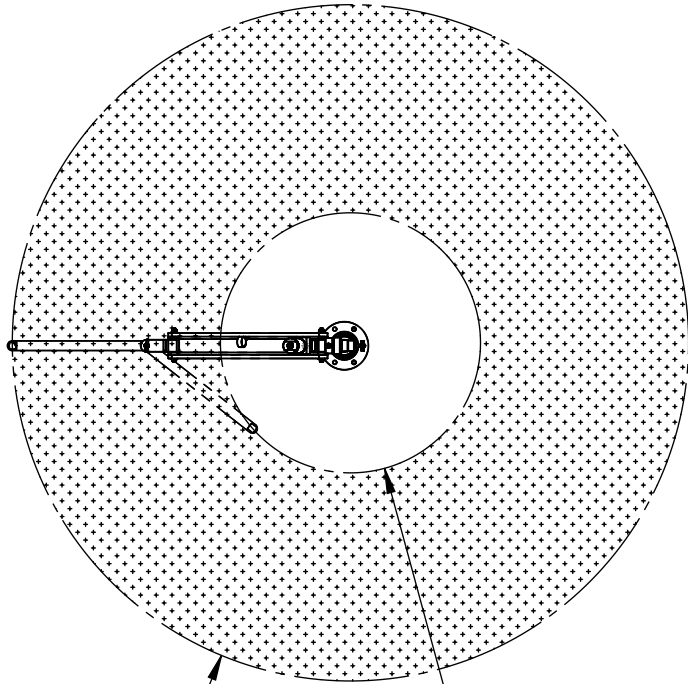
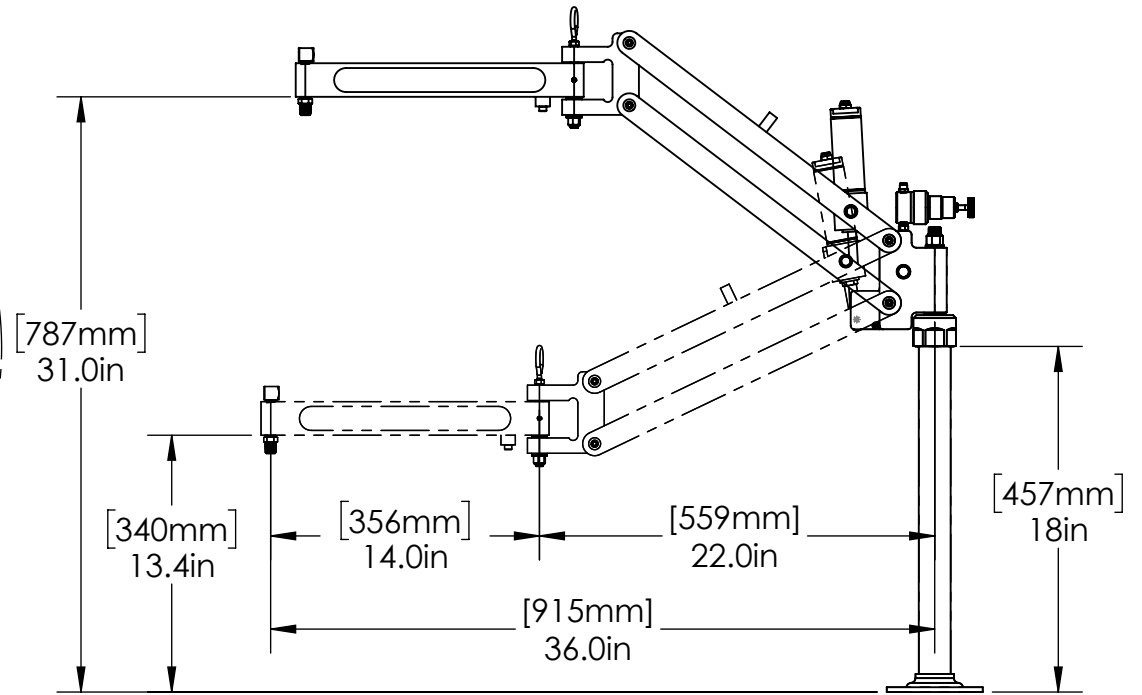


WORK AREA



[1830mm]
Ø 72in

MIN. REACH
[688mm]
Ø 27in



www.toolarms.com

ETA
Ergonomic Tool Arms, LLC

MODEL#: PA815

1/4 MALE NPT AIR CONNECTION INCLUDED

For VERTICAL Fastening with customer's In-line Air Tool

MAX TORQUE: 800 in-lbs (90 N-m)

MAX. TOOLING WEIGHT: 15 LBS (6.75 KG)

COPYRIGHT © 2018 ERGONOMIC TOOL ARMS, LLC